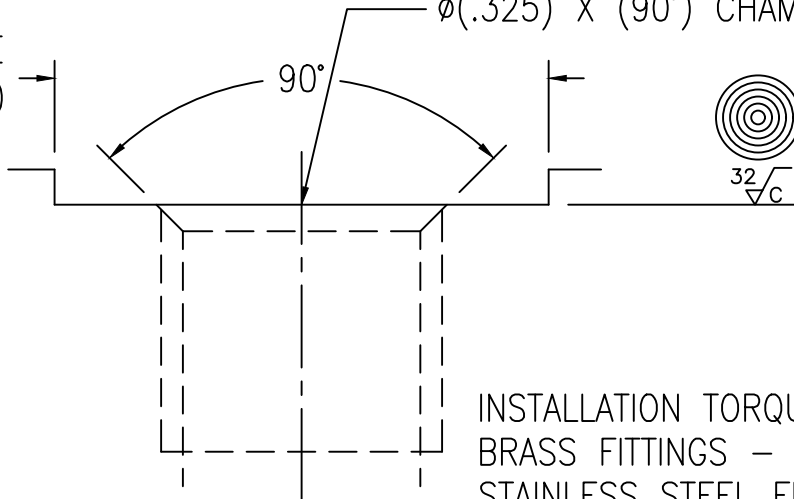


5/16-24 UNF-2B X .350 DP MIN.
 $\phi(.325)$ X (90°) CHAMFER

$\phi.563$ MIN SPOT FACE
 (5/16 HEX & ELBOW FITTINGS)



INSTALLATION TORQUE:
 BRASS FITTINGS - 15 TO 17 IN*LBF
 STAINLESS STEEL FITTINGS - 20 TO 22 IN*LBF

5/16-24 PORT REQUIREMENTS

REV	NO.	CHANGE	APP	DATE	REV	NO.	CHANGE	APP	DATE	SCALE: N.T.S.	APPROVED BY:	DRAWN: CRM
-----	-----	--------	-----	------	-----	-----	--------	-----	------	---------------	--------------	------------

DATE: 01/18/06	ALL DIMENSIONS IN INCHES UNLESS OTHERWISE NOTED TOLERANCES UNLESS OTHERWISE SPECIFIED: DECIMAL: $\pm .005$ FRACTIONAL: $\pm 1/64$ ANGULAR: $\pm 1/2$	REV.
SURFACE FINISH UNLESS OTHERWISE SPECIFIED: 125/ \sqrt{C}	USED ON DRAWING NO:	DRAWING NO: SPEC



beswick engineering co., inc.
 greenland, new hampshire 03840

this drawing and all novel ideas contained in or suggested thereby, in whole or in part, are the property of Beswick Engineering Co., Inc. and are not to be reproduced or used without written permission.