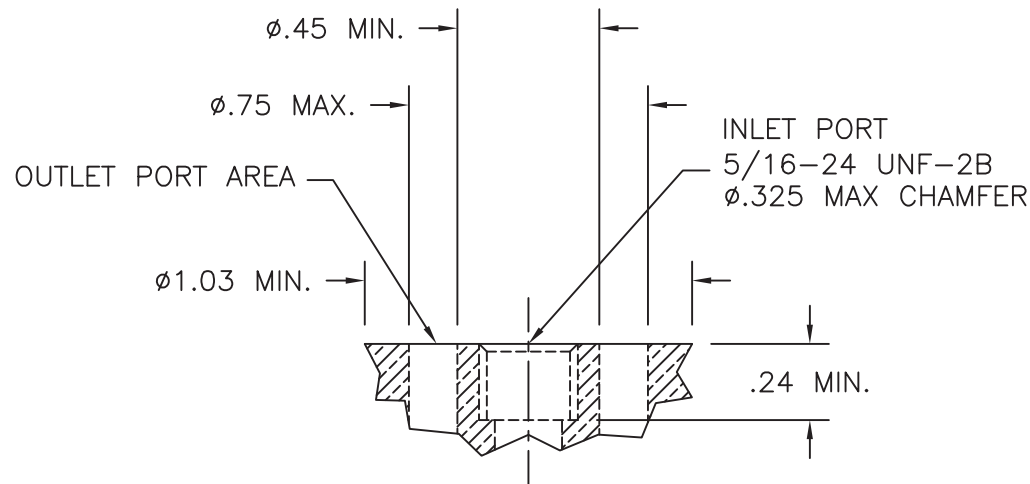


MANIFOLD DIMENSIONS



2 STG. REG LG. MANIFOLD DIM.

REV NO.	CHANGE	APP DATE	REV NO.	CHANGE	APP DATE	SCALE: N.T.S.	APPROVED BY:	DRAWN: JLH
---------	--------	----------	---------	--------	----------	---------------	--------------	------------



beswick engineering co., inc.
greenland, new hampshire 03840

this drawing and all novel ideas contained in or suggested thereby, in whole or in part, are the property of Beswick Engineering Co., Inc. and are not to be reproduced or used without written permission.

DATE: 05/15/12

ALL DIMENSIONS IN INCHES UNLESS OTHERWISE NOTED
TOLERANCES UNLESS OTHERWISE SPECIFIED:
DECIMAL: $\pm .005$ FRACTIONAL: $\pm 1/64$ ANGULAR: $\pm 1/2$

REV.

SURFACE FINISH UNLESS OTHERWISE SPECIFIED: $125/\sqrt{\quad}$

USED ON DRAWING NO:

DRAWING NO:

SPEC