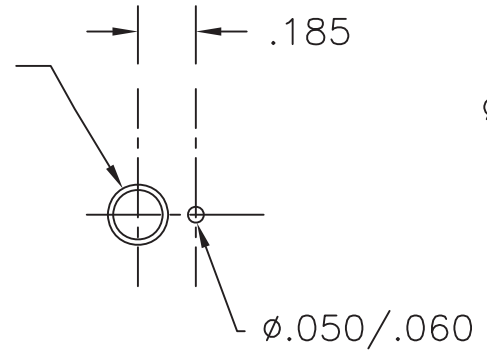
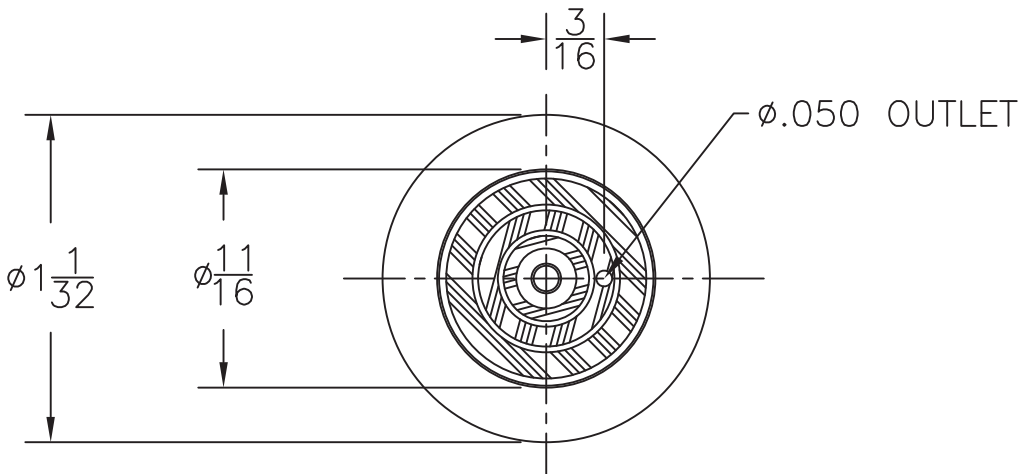
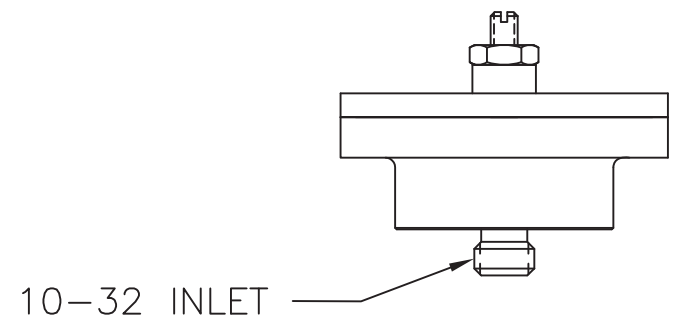


MNR. ϕ .156/.164
 10-32 UNF-2B X .190 DP
 P. ϕ .1697/.1736
 ϕ .195/.205 X 90° CHAMFER



SUGGESTED PORT DIMENSIONS



PART NUMBER: PRDB8-1N1-3-3
 MATERIALS: S30300 STAINLESS STEEL
 SEALS: BUNA-N
 DIAPHRAGM: BUNA-N

REV NO.	CHANGE	APP DATE	REV NO.	CHANGE	APP DATE

DIAPHRAGM PR. REG. MANIFOLD

SCALE: N.T.S. APPROVED BY: DRAWN: GAT
 DATE: 06/03/10



beswick engineering co., inc.
 greenland, new hampshire 03840

this drawing and all novel ideas contained in or suggested thereby, in whole or in part, are the property of Beswick Engineering Co., Inc. and are not to be reproduced or used without written permission.

ALL DIMENSIONS IN INCHES UNLESS OTHERWISE NOTED TOLERANCES UNLESS OTHERWISE SPECIFIED: DECIMAL: \pm .005 FRACTIONAL: \pm 1/64 ANGULAR: \pm 1/2		REV.
SURFACE FINISH UNLESS OTHERWISE SPECIFIED: 125/	USED ON DRAWING NO:	DRAWING NO: SPEC