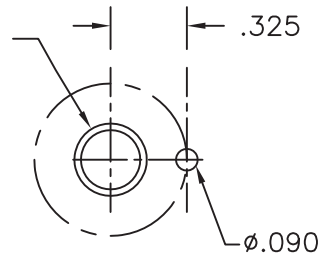
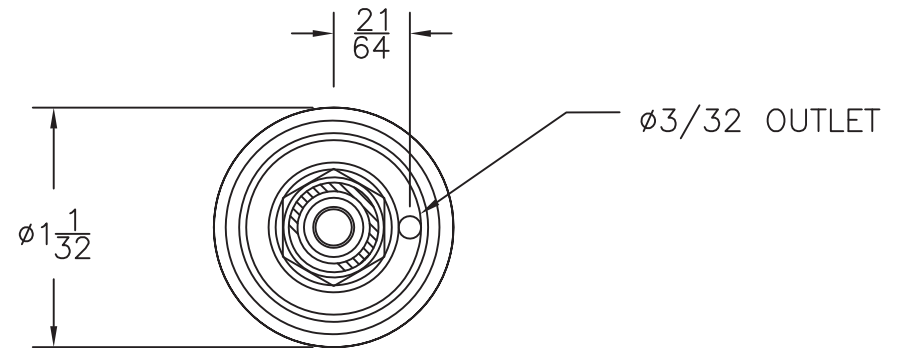
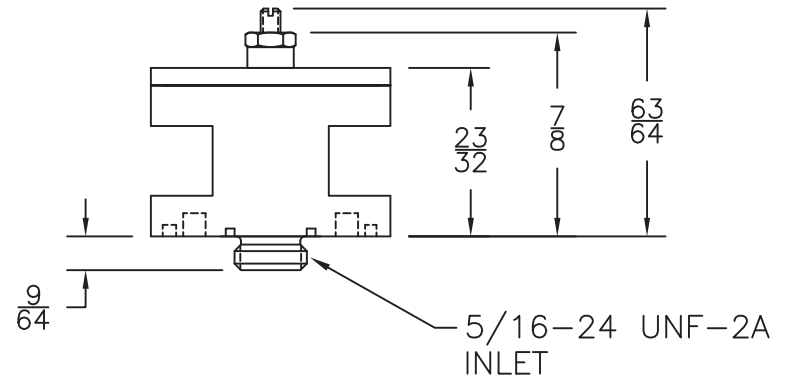


MNR.  $\phi$ .267/.277  
 5/16-24 UNF-2B X .200 DP  
 P.  $\phi$ .2854/.2902  
 $\phi$ .320/.325 X 90° CHAMFER



SUGGESTED PORT DIMENSIONS



PART NUMBER: PRDHF8  
 MATERIALS: C36000 BRASS  
 SEALS: BUNA-N  
 DIAPHRAGM: BUNA-N

DIAPHRAGM PRES. REG., HF VALVE, MANIFOLD

REV NO.	CHANGE	APP DATE	REV NO.	CHANGE	APP DATE	SCALE: N.T.S.	APPROVED BY:	DRAWN: GAT



beswick engineering co., inc.  
 greenland, new hampshire 03840

this drawing and all novel ideas contained in or suggested thereby, in whole or in part, are the property of Beswick Engineering Co., Inc. and are not to be reproduced or used without written permission.

DATE: 04/25/12

ALL DIMENSIONS IN INCHES UNLESS OTHERWISE NOTED  
 TOLERANCES UNLESS OTHERWISE SPECIFIED:  
 DECIMAL: ± .005 FRACTIONAL: ± 1/64 ANGULAR: ± 1/2

REV.

SURFACE FINISH UNLESS OTHERWISE SPECIFIED: 125/√

USED ON DRAWING NO:

DRAWING NO:

SPEC